



PUMPS AUSTRALIA

BETTER • FASTER • EASIER



VORTEX SUBMERSIBLE PUMP

TECHNICAL DATA

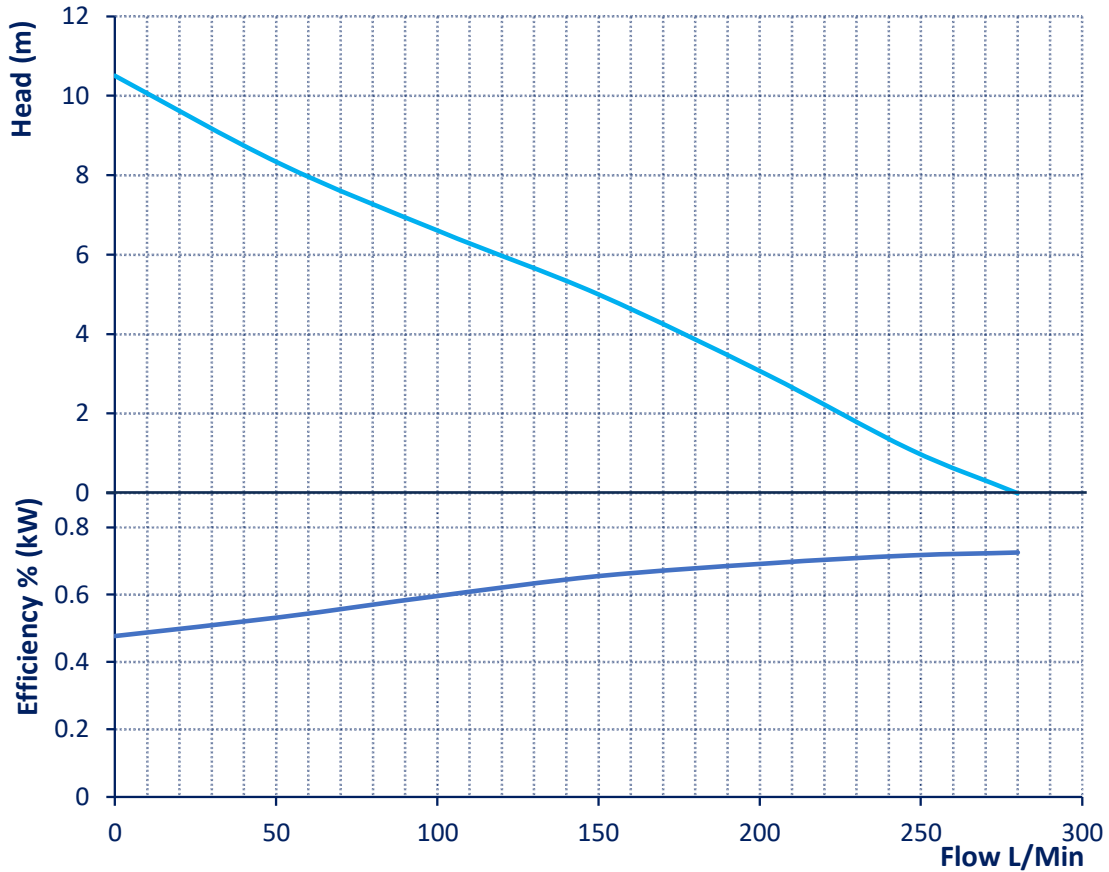
MODEL: RVC260
CODE: 22276

MAX HEAD 10.5M
MAX FLOW 280L/MIN
MOTOR POWER 700W
DISCHARGE 32mm



CHARACTERISTIC CURVE & PERFORMANCE DATA

VORTEX SUMP PUMP RVC260

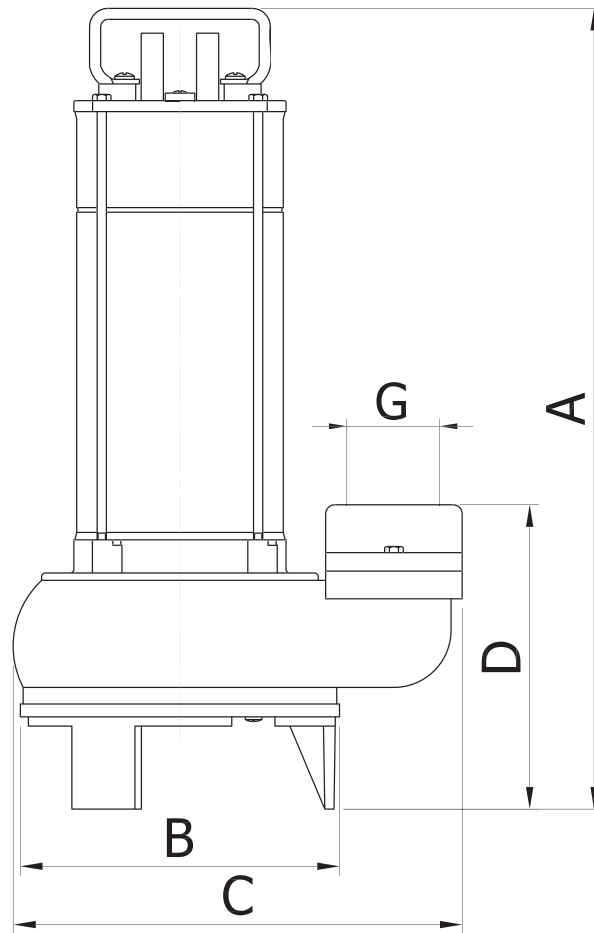


TYPE	Nominal Power (P2)		Input Power (P1)	Input Current (A)
	W	HP	W	240V
RVC260	580	0.8	700	3.3

L/MIN	0	50	100	150	200	250
HEAD (M)	10.5	8.2	6.2	5	3	1

DIMENSIONS & WEIGHT

VORTEX SUMP PUMP RVC260



MODEL	DIMENSIONS (MM)					PACKING (MM)			WEIGHT (KG)
	A	B	C	D	G	L	W	H	
RVC260	335	128	202	116	32	220	135	340	8